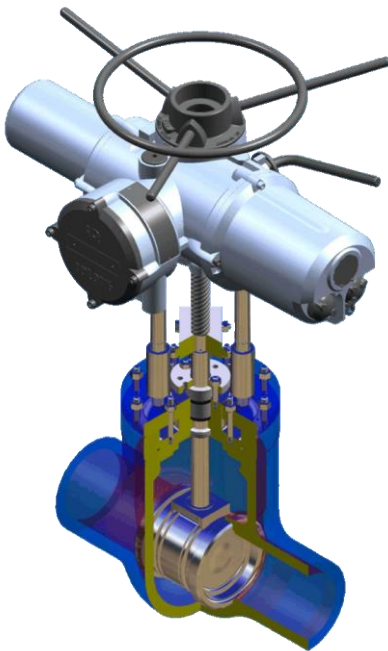
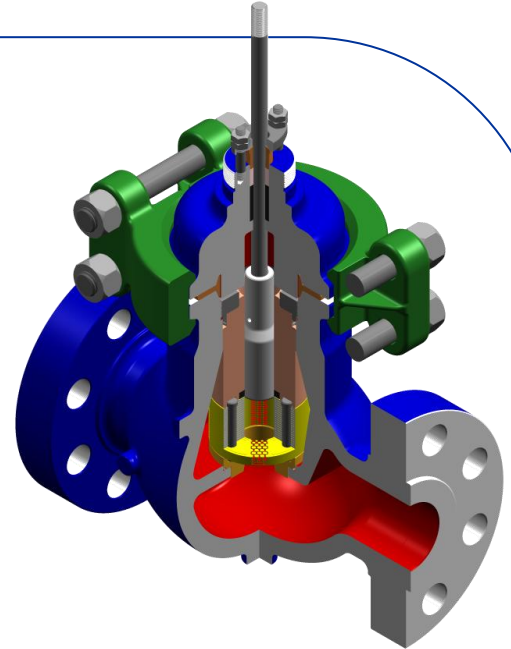


Customer Profile



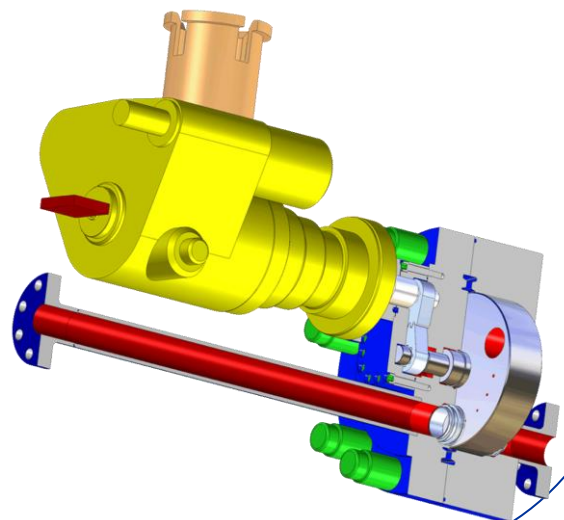
Weir Valves and Controls UK Ltd

Weir Valves and Controls UK is a Division of the Weir Group PLC. Weir Valves and Controls has a portfolio of products to support global best practice in Power Generation and Oil and Gas Safety. We have market leading products for Nuclear and Subsea applications. Our UK product brands include Hopkinsons, Batley Valve and Blakeborough.



Weir Valves CAD solution is Solid Edge due to its ease of use, intuitive design and flexibility. Replacing traditional 2D CAD with Solid Edge has given significant benefits, particularly embracing parametric technology. 3D design is particularly important to us for fluid analysis, FEA and casting production, and Solid Edge has greatly assisted us in these areas.

Cutting Edge Solutions Ltd are enlisted by Weir Valves as our support provider to provide the response and technical backup for our CAD system in a constantly changing and ever more demanding engineering environment.



SOLID EDGE
VELOCITY SERIES



Cutting Edge Solutions Ltd
Realising potential through inspired solutions