

Customer Profile

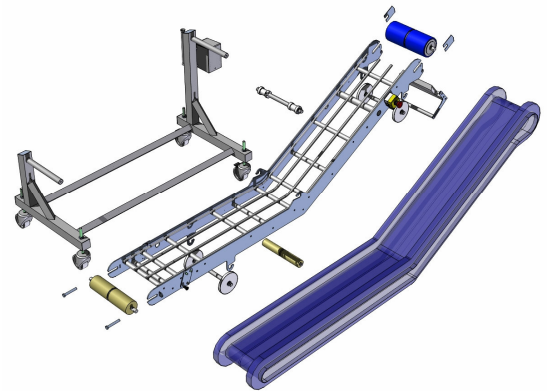
PROTECH
food systems

Solid Edge helps Protech Food Systems to achieve their competitive edge

Protech Food Systems supply the food industry with stainless steel equipment, working with major multi-national and global companies. Protech's ability to design and build bespoke equipment quickly and efficiently puts them ahead of the competition in their sector. Their key objective is to manufacture innovative and durable equipment at a competitive price.

Protech Food Systems introduced Solid Edge primarily to put themselves one step ahead of the competition. They found Solid Edge to be the most advanced and fresh 3D design software product within the CAD marketplace.

The company is now well into their fourth year of Solid Edge use and they continue to utilise the power of Solid Edge to its full potential. The result is that Protech Food Systems is consistently producing high quality and cost effective systems and machines, and is creating proposals, design models, and presentations that set them above their competition.



“Solid Edge enables our design team to deliver clear, accurate and concise information to both our manufacturing plant and our customer base. Our sales team are constantly being supplied with high quality views and models to add to our product portfolio. Solid Edge has helped us develop into the successful business we are today and it enables us to constantly meet the high quality standards which our customers have become accustomed to.”

Mark Newman, Design Engineer.